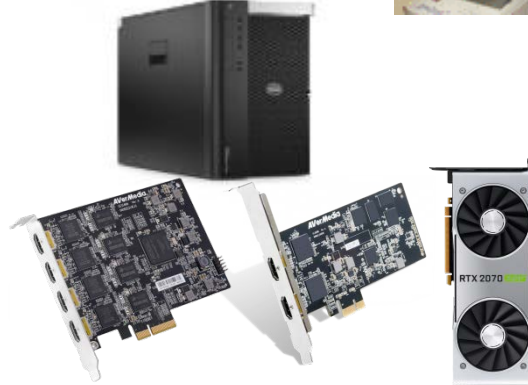
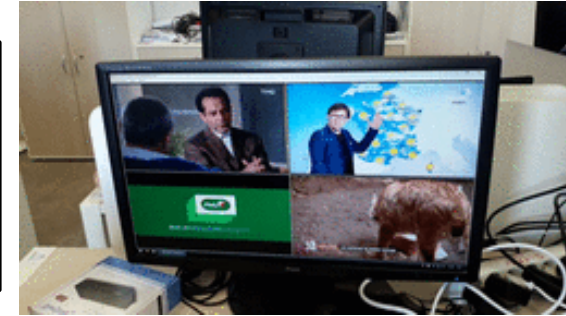
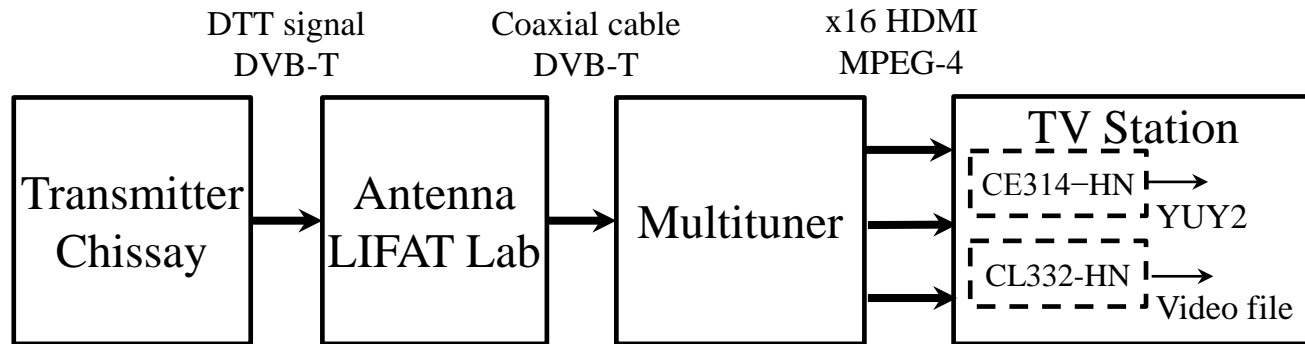


A Workstation for Real-Time Processing of Multi-Channel TV

Mathieu Delalandre (mathieu.delalandre@univ-tours.fr)



Workstation	1x DELL PRECISION T7600	Intel Xeon(R) CPU E5-2620, 68 GFLOPS SP
Decoding card	4x AVERMEDIA CE314-HN	16 channels, Full HD, YUY2, 1.85 Gb.s-1
Encoding card	1x AVERMEDIA CL332-HN	2 channels, Full HD, MPEG4 video files
GPU	1x RTX2070 super	9.6 TFLOPS SP

A Workstation for Real-Time Processing of Multi-Channel TV

Mathieu Delalandre (mathieu.delalandre@univ-tours.fr)

Duplicate detection with template matching

- application to the advertising detection,
- fast NCC with AVX instructions, multi core / threads.

Size of template	32x32	64x64
Template / frame	22.2K	4.3K



Perspectives

- application to the TV shows, movies, series,
- implementation with GPU,
- optimization with image integral, upper bounding,
- matchability prediction with CNN.

